

# C4350S-V(8265U)



## Features

- Integrated 8<sup>th</sup> Generation Intel®i5-8265U 1.6GHz quad core 8-thread processor
- 2\* SODIMM DDR4 2400MHz RAM,max up to 32GB
- 1\*VGA port,1\*HD OUTPUT port
- 2\* RTL8111H Gigabit Ethernet, support WOL / PXE
- 2\* RS232 DB9 COM port,support RS485 switchable
- 4\* USB3.0 port, 4\*USB2.0 port, 1\* SIM slot
- DC 12V power input
- Full aluminum case,fanless cooling structure, Copper tube heat conduction

Model No.	C4350S-V V1.0(8265U)	
Case	Material/Structure	Full aluminum case, fanless cooling
	Color	Iron gray / Fog Silver
	Dimension(L*W*H )	L141.5*W126*H56.5MM
	Installation	Desktop /VESA mounted
Motherboard	CPU	Integrated 8th Generation Intel®i5-8265U 1.6GHz, quad core 8-thread processor ,TDP 15W
	Display	Intel® UHD Graphics ,support DirectX 12 OpenGL 4.5, 4K/60Hz
	RAM	2*DDR4 SODIMM RAM slot,support dual channel 2400MHz,max up to 32GB
Front I/O Port	POWER	1* Power Switch, 1* Reset Switch, 1* AC LOSS (auto power on switch)
	LED	1* Power LED, 1* HDD LED
	USB	2* USB2.0, 2* USB3.0
	Audio	1* Line out port, 1* MIC port
	SIM	1* SIM slot,3G/4G module
Rear I/O Port	POWER	1* 2pin Remote Switch
	Display Port	1* VGA port, 1* HD OUTPUT1.4 port(4096x2304@24Hz)
	LAN	2* RTL8111H Gigabit Ethernet, support WOL / PXE
	USB	2* USB2.0, 2* USB3.0
	COM	2* RS232 DB9 COM port,support RS485 switchable Support CAN interface
	Power Supply	1* DC 12V power input
Storage	MSATA	1* MSATA slot,SSD support Intel protocol
	M.2	1* M.2 slot, support M.2 2280 NVME PCIe4 SSD
Expansion	Mini PCIE	1* Mini-PCIE slot, support WIFI/4G module
	M.2	1* M.2 slot, support M.2 Key B 5G module(not default)



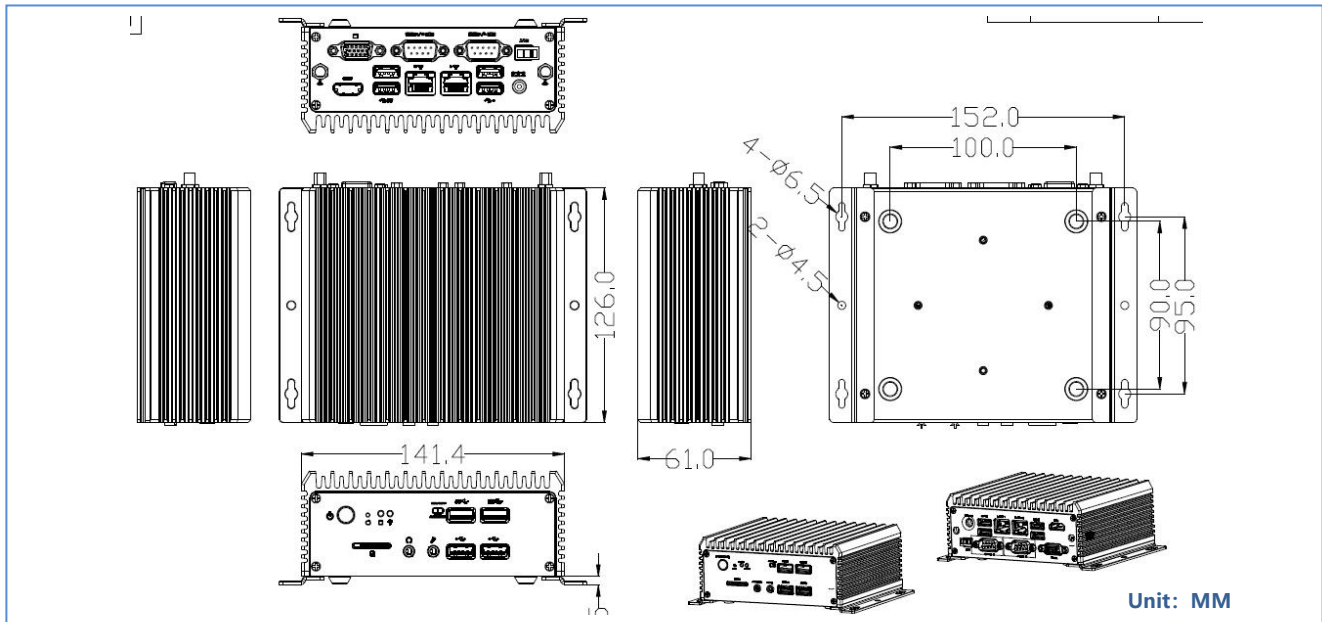
Fanless Industrial Computer

OS support	Microsoft Windows	Windows 10
	Linux	Ubuntu
	Watch Dog	Support hardware reset function (L256, 0~255 seconds)
Power Supply	Power Type	External power adaptor
	Voltage Input	DC 12V
	Power output	AC TO DC, 60W
Environment	Operating Temp.	-10°C ~ 60°C
	Storage Temp.	-20°C ~ 70°C
	Relative Humidity	5%-95% relative humidity, non-condensing
	Working Vibration	0.5g rms/5-500HZ/random/operating



## Fanless Industrial Computer

## Dimension Drawing



Front Panel I/O View



Rear Panel I/O View



## Order Information

No.	Model	Processor	Motherboard	IO Board	Memory	LAN	COM	HD output	VGA	USB2.0	USB3.0	SIM	power
1	C4350S-V V1.0(10210U)	i5-10210U/1.6G	N10_I522H	N81-VGA	2*SODDDR4	2*8111H	2	1	1	4	4	1	DC 12V
2	C4350S-V V1.0(8265U)	i5-8265U/1.6G	N08_I522H	N81-VGA	2*SODDDR4	2*8111H	2	1	1	4	4	1	DC 12V
3	C4350S-V V1.0(6200U)	i5-6200U/2.3G	N62_I522H	N81-VGA	1*SODDDR4	2*I211AT	2	1	1	4	4	1	DC 12V
4	C4350S-V V1.0(5205U)	5205U / 1.9G	N10_C322H	N81-VGA	2*SODDDR4	2*8111H	2	1	1	4	4	1	DC 12V
5	C4350S-V V1.0(J4125)	J4125/2.0G	N41_J122H	N81-VGA	1*SODDDR4	2*8111H	2	1	1	4	4	1	DC 12V

Remark: 1. C4350S-V V1.0 (5205U) /C4350S-V V1.0 (J4125) ---NFC43S-L model case, with aluminum block and no copper tube

2. C4350S-V V1.0 (6200U) /C4350S-V V1.0 (8265U) /C4350S-V V1.0 (10210U) ---NFC43S-TG model case, with copper blocks and copper tubes;



Fanless Industrial Computer