

P1581Y-P4



Features

- 15.6 inch wide LCD, 1920*1080, 16:9, capacitive touchscreen
- 1*HDMI
- 5*Intel I210 Gigabit Ethernet, 4 of them support 4*POE
- 4*RS232 COM ports, COM1~2 RS232 DB9, COM2 support RS485/422, COM3~4 RS232 signals in 2*12Pin phoenix terminals, COM3 support RS485
- 4-in 4-out GPIO, 2*USB3.0, 2*USB2.0
- 9~36V wide voltage input
- Aluminum alloy, fanless cooling structure

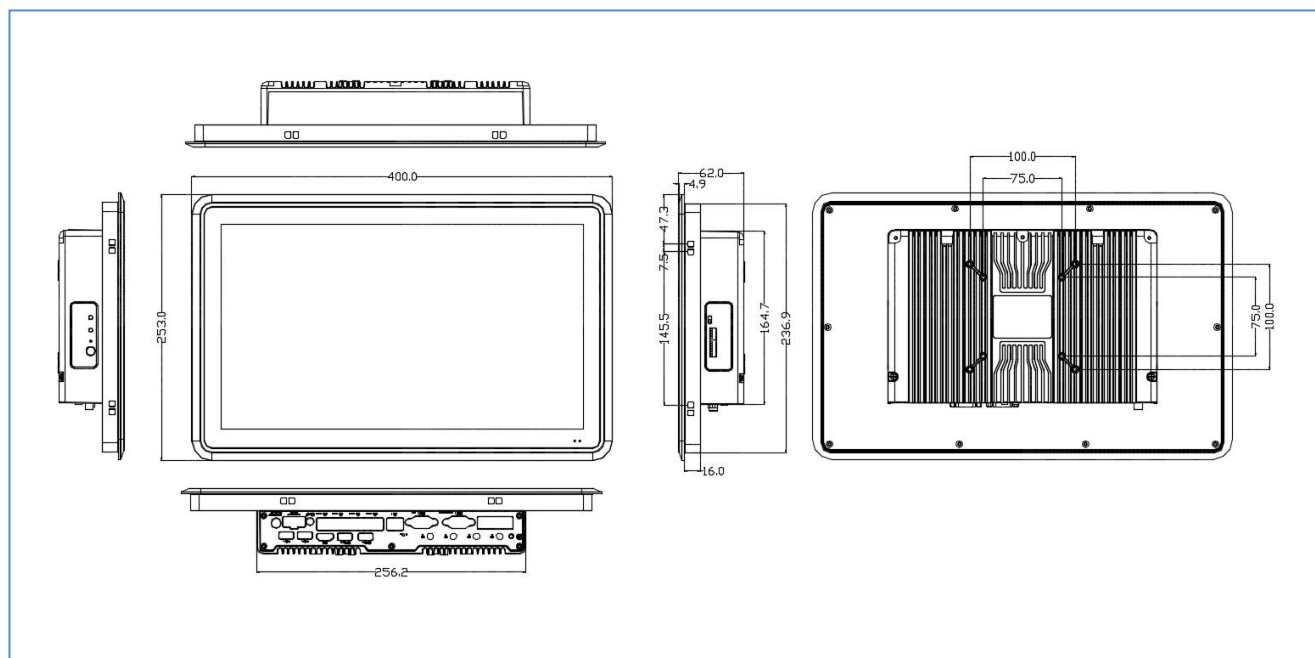
Model	P1581Y-P4 V1.0	
Case	Material / Structure	Fanless cooling structure
	Color	Bright silver
	Dimension	L400*W253*62Hmm
	Net Weight	3.2KG
	Installation	Wall-mount /VESA
LCD Screen	Type	15.6" Full HD wide LCD screen, 16:9
	Resolution	1920 * 1080
	Luminance	300cd/m2
Touch screen	Touch Type	Capacitive, 10-point touch (can be changed to resistive screen)
	Light Transmission	>85%
IO Port	POWER	1* Power button, 1* Reset button, 1* AC LOSS switch (electric auto power ON/OFF) 1* CMOS switch
	Display	1*HDMI (4096x2160@60Hz)
	LAN	5*Intel I210AT Gigabit Ethernet, 4 of them support POE/15W
	USB	2*USB3.0, 2*USB2.0
	Audio	1*AUDIO, Line out and MIC 2 in 1
	COM	4*RS232 COM port, COM1~2 RS232 DB9, COM2 support RS485/422, COM3~4 signals in 2*12pin phoenix terminals, support RS232, COM3 support RS485, COM1-2 support the 9 th pin charged function
	Phoenix Connector	2*12Pin (4-in 4-out GPIO/Switch signal / COM3~COM4 / 5V VCC/GND)
	Dipswitch	10-position dipswitch, COM2~3 RS232/485 switchable, COM2 RS422 via COM2_SW1 jump cap
Storage	Power	1*DC(5.5*2.5) Circular Connector or 1*2PIN Phoenix Terminal, DC 9V~36V
	SATA	1*2.5" SATA hard disk expansion
	MSATA	1*MSATA
Expansion	M.2	1*M.2/SSD, Key-M, 2280, NVME PCIe x4 SSD
	M.2	1*M.2/WiFi, support Key-E, 2230, WiFi module 1*M.2/5G, support Key-B, 2242/52, 5G module
Power Supply	Power Type	External power adaptor
	Voltage Input	DC 9V~36V
	Power Output	AC TO DC above 60W (Depending on specific equipment)
Environment	Working Temp.	0°C ~ 50°C
	Storage Temp.	-20°C ~ 70°C
	Relative Humidity	5%-95% relative humidity, non-condensing
	Vibration	0.5g rms/5-500HZ/random/operating



Industrial Panel PC

All product specifications are subject to change without prior notice

Dimension Drawing



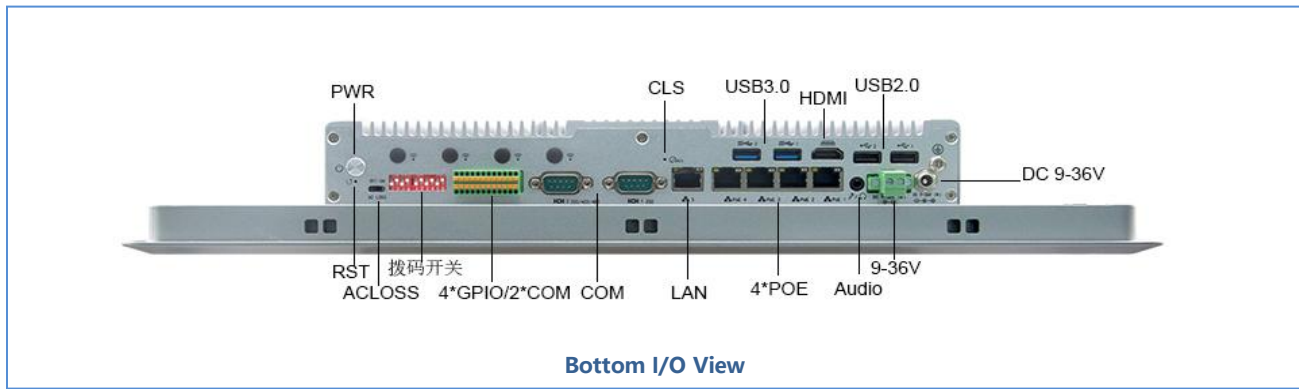
Front View



Back View



Lateral I/O View



Order Information

No.	Model	CPU	Memory	Motherboard	IO Board	GPIO	LAN	COM	HDMI	USB 2.0	USB 3.0	power
1	P1581Y-P4 V1.0(J6412)	J6412/2.00G	2*SODDDR4	P642	P1082-P4/P1071-LED	4-in 4-out	5	4	1	2	2	9~36V
2	P1581Y-P4 V1.0(8260U)	I5-8260U/1.6G	2*SODDDR4	P82	P1082-P4/P1071-LED	4-in 4-out	5	4	1	2	2	9~36V
3	P1581Y-P4 V1.0(7300U)	I5-7300U/2.6G	2*SODDDR4	P68	P1082-P4/P1071-LED	4-in 4-out	5	4	1	2	2	9~36V
4	P1581Y-P4 V1.0(1021U)	I5-10210U/1.6G	2*SODDDR4	P102	P1082-P4/P1071-LED	4-in 4-out	5	4	1	2	2	9~36V
5	P1581Y-P4 V1.0(1135G7)	I5-1135G7/2.4G	2*SODDDR4	P112	P1082-P4/P1071-LED	4-in 4-out	5	4	1	2	2	9~36V
6	P1581Y-C6 V1.0(1235U)	I5-1235U/1.3G	2*SODDDR4	P122	P1082-P4/P1071-LED	4-in 4-out	2	6	1	2	4	9~36V
7	P1581Y-C6 V1.0(J6412)	J6412/2.00G	2*SODDDR4	P642	P1082-C6/P1071-LED	4-in 4-out	2	6	1	2	4	9~36V
8	P1581Y-C6 V1.0(8260U)	I5-8260U/1.6G	2*SODDDR4	P82	P1082-C6/P1071-LED	4-in 4-out	2	6	1	2	4	9~36V
9	P1581Y-C6 V1.0(7300U)	I5-7300U/2.6G	2*SODDDR4	P68	P1082-C6/P1071-LED	4-in 4-out	2	6	1	2	4	9~36V
10	P1581Y-C6 V1.0(1021U)	I5-10210U/1.6G	2*SODDDR4	P102	P1082-C6/P1071-LED	4-in 4-out	2	6	1	2	4	9~36V
11	P1581Y-C6 V1.0(1135G7)	I5-1135G7/2.4G	2*SODDDR4	P112	P1082-C6/P1071-LED	4-in 4-out	2	6	1	2	4	9~36V
12	P1581Y-C6 V1.0(1235U)	I5-1235U/1.3G	2*SODDDR4	P122	P1082-C6/P1071-LED	4-in 4-out	2	6	1	2	4	9~36V

NOTE:

1. One-key restore and reset button two choose one, the default one-key restore, some CPU does not support one-key restore, specific contact business.

2. COM2 supports RS232/482/422, RS422 switching is realized by jump cap COM1_SW1, which is on the IO board.

Accessory List:

No.	Material number	Descriptive	Quantity	Unit	Remark
1	03.02.N12-KAKOU-12	Buckle, L16.7*W16.2*H14.4mm	8	pcs	Defaults
2	03.03.J01-0H015-00	Power Line L=1.5m	1	pcs	Option
3	03.01.DC0-L090F-90	DC12V/7.5A/90W/Adapter	1	pcs	Option



Industrial Panel PC

All product specifications are subject to change without prior notice